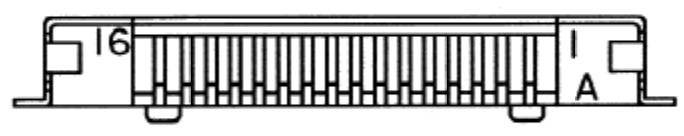
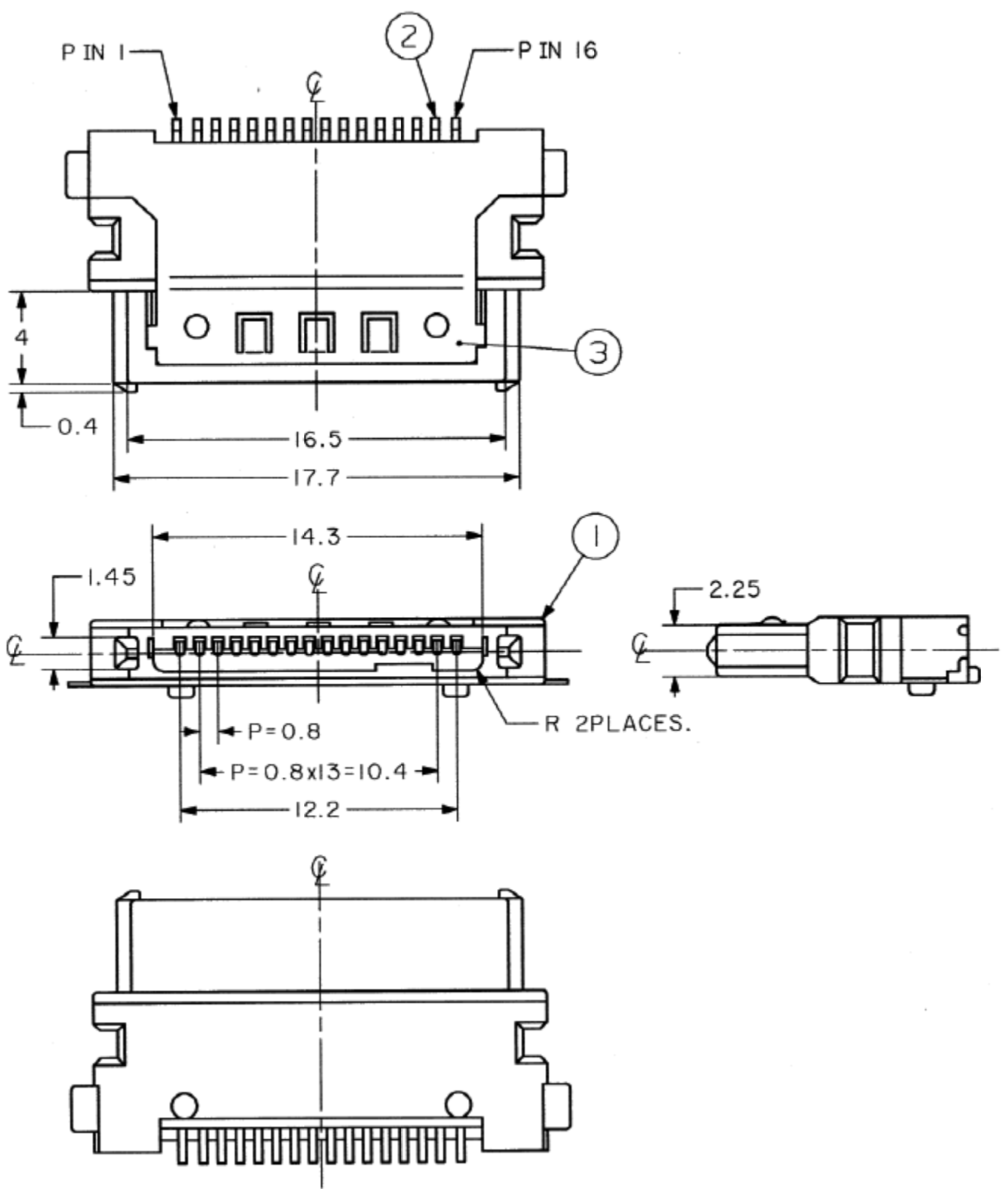


REVISION				
ZONE	LTR	DESCRIPTION	DATE	REVISED APPROVED

NOTES.

1. THIS CONNECTOR IS MADE BY HOSIDEN CORPORATION, TCX3106-010100
2. THIS CONNECTOR NEED EXCHANGE SPECIFICATION WITH HOSIDEN CORPORATION WHEN BUYING.
3. MATING CONNECTOR
HOSIDEN CORPORATION, TCX3104-010100.



3	COVER	1	0.2T PHOSPHOR BRONZE	TIN ALLOY PLATED
2	CONTACT	16	0.35T PHOSPHOR BRONZE	GOLD PLATED IN CONTACT AREA. TIN ALLOY PLATED IN SOLDERING AREA.
1	BODY	1	LCP RES IN (UL94V-0)	COLOR : BLACK
LTR	PART NAME	QTY	MATERIAL	REMARK
DWN		DATE		SCALE
CHKD		DATE		3RD ANGLE PROJECTION
APVD		DATE		NAME
Hosiden Corporation FACTORY: <input type="checkbox"/> OSAKA <input type="checkbox"/> TOKYO <input type="checkbox"/> F.D. <input type="checkbox"/> <input type="checkbox"/> TOHOKU <input type="checkbox"/> KYUSHU <input type="checkbox"/> SEIKO <input type="checkbox"/>				MODEL NO. TCX3106-010100 DWG NO.

UNLESS OTHERWISE SPECIFIED DIMENSIONS ARE IN MILLIMETERS INCHES TOLERANCE ON DECIMALS± FRACTIONALS± ANGLES± DO NOT SCALE DRAWING