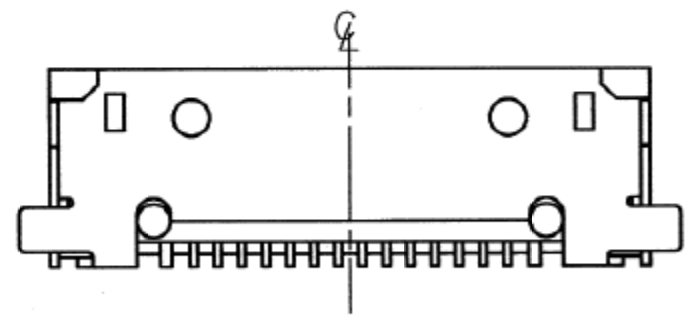
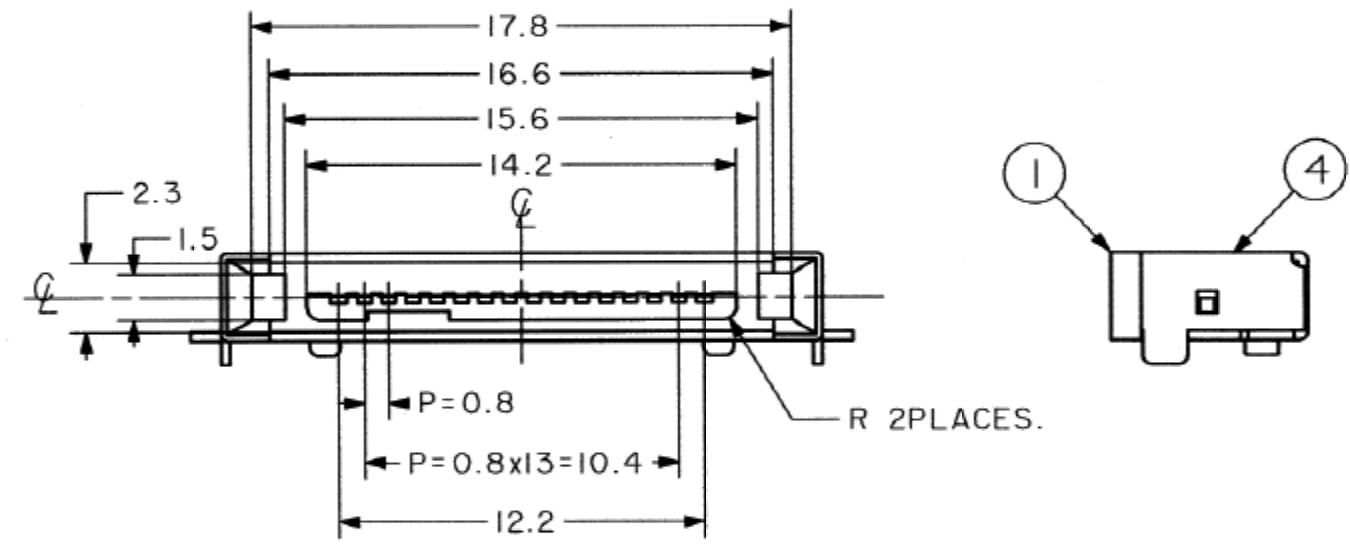
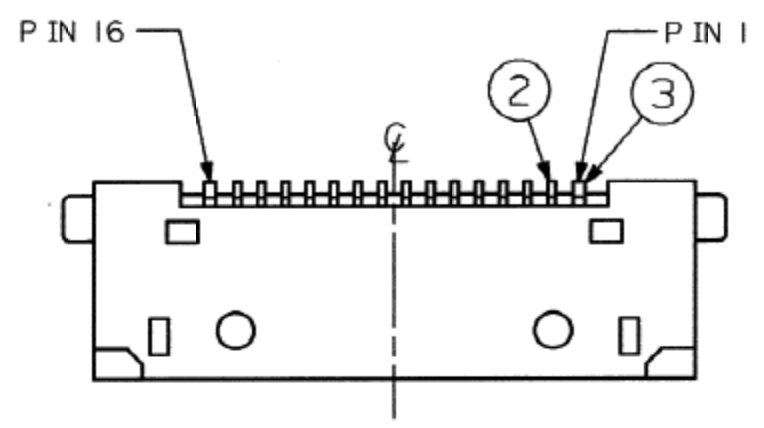


REVISION				
ZONE	LTR	DESCRIPTION	DATE	REVISED APPROVED

- NOTES.
1. THIS CONNECTOR IS MADE BY HOSIDEN CORPORATION, TCX3104-010100
 2. THIS CONNECTOR NEED EXCHANGE SPECIFICATION WITH HOSIDEN CORPORATION WHEN BUYING.
 3. MATING CONNECTOR
HOSIDEN CORPORATION, TCX3106-010100.



LTR	PART NAME	QTY	MATERIAL	REMARK
4	COVER	1	0.3T BRASS	TIN ALLOY PLATED
3	CONTACT (FOR THE POWER)	2	0.2T PHOSPHOR BRONZE	GOLD PLATED IN CONTACT AREA TIN ALLOY PLATED IN SOLDERING AREA
2	CONTACT (FOR THE SIGNAL)	14	0.2T PHOSPHOR BRONZE	GOLD PLATED IN CONTACT AREA TIN ALLOY PLATED IN CONTACT AREA
1	BODY	1	LCP RES IN (UL94V-0)	COLOR : BLACK

DWN	DATE	SCALE	NAME
CHKD	DATE	3RD ANGLE PROJECTION	MODEL NO.
APVD	DATE		

Hosiden Corporation
 FACTORY: OSAKA TOKYO F.D.
 TOHOKU KYUSHU SEIKO

TCX3104-010100
 DWG NO.

UNLESS OTHERWISE SPECIFIED DIMENSIONS ARE IN MILLIMETERS INCHES TOLERANCE ON DECIMALS± FRACTIONALS± ANGLES± DO NOT SCALE DRAWING